

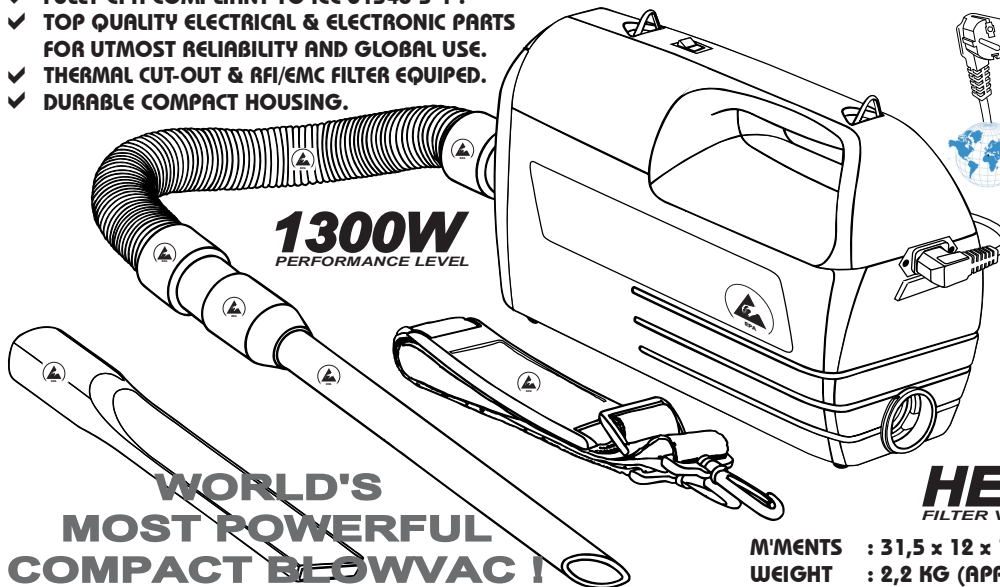
EPA BlowVac Special

555-ESD-S GS

SPECIAL FIELD SERVICE & EPA BLOWVAC TO REMOVE DUST AND DEBRIS FROM ADVANCED ELECTRONIC EQUIPMENT HIGHLY SENSITIVE TO DUST AND STATIC BUILD UP IN FIELDS AS TELECOM, OFFICE AUTOMATION, SCIENTIFIC, MEDICAL AND SEMICONDUCTOR & ELECTRONICS INDUSTRIES REQUIRING TOP LEVEL "ELECTRONIC CARE".

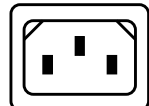
- ✓ "BLOWVAC" = BLOWER AND VACUUM CLEANER IN ONE !
- ✓ NO CARRYING NOR INVESTMENT MULTIPLE APPLIANCES.
- ✓ SUPERB SUCTION- & BLOWPOWER AT LOW ELECTRICITY CONSUMPTION (COST) BY USE HIGH EFFICIENCY MOTOR !
- ✓ GENTLE CONTROLLED ESD-SAFE STATIC DISCHARGE ON TIP BLOW/VACUUM NOZZLES TO EARTH POWER OUTLET.
- ✓ FULLY EPA COMPLIANT TO IEC 61340-5-1 !
- ✓ TOP QUALITY ELECTRICAL & ELECTRONIC PARTS FOR UTMOST RELIABILITY AND GLOBAL USE.
- ✓ THERMAL CUT-OUT & RFI/EMC FILTER EQUIPED.
- ✓ DURABLE COMPACT HOUSING.

- ✓ EPA HOSE ASSEMBLY EXTENDING FULL 130CM.
- ✓ EPA BLOW & VACUUM HARD CREVICE NOZZLE AND SOFT RUBBER NOZZLE. LEATHER SHOULDERSTRAP.
- ✓ SPECIAL 1,2 LITRE MULTILAYER FILTERBAG.
- ✓ ADVANCED 6-STAGE (PRE-MOTOR) FILTER SYSTEM.
- ✓ DETACHABLE 3 METER TOP QUALITY CORDSET.



HEPA
FILTER VERSION

M'MENTS : 31,5 x 12 x 18,5 CM.
WEIGHT : 2,2 KG (APPLIANCE)



HEPA = High Efficiency Particulate Air. Retention down to 99,97% on 0.3 µ particles.

EPA BlowVac Special Electronic

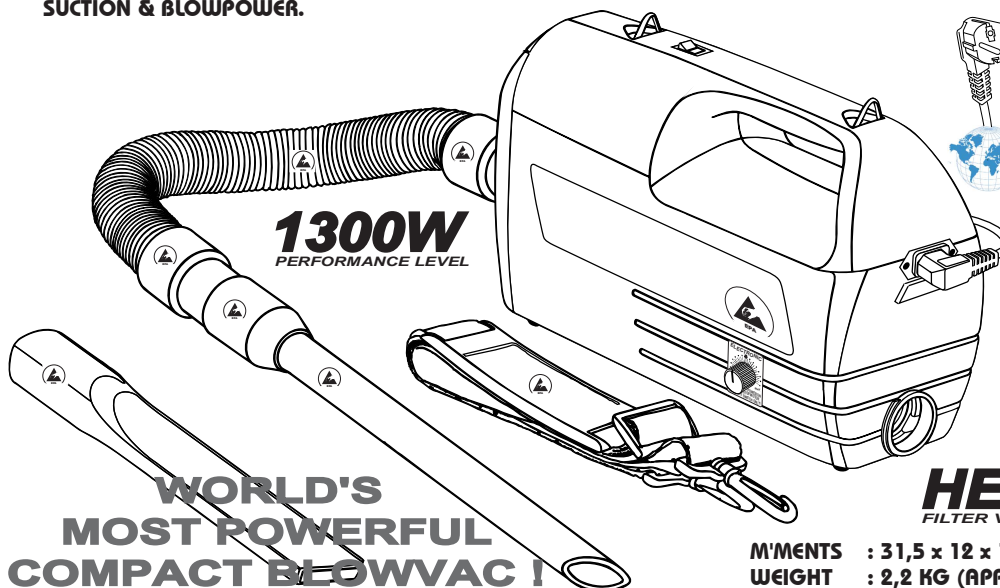
555-ESD-S-E GS

ELECTRONIC "SILENT" VERSION.

- ✓ FULL SUCTION, BLOWPOWER, NOISE LEVEL CONTROL.
- ✓ DIAL LABEL TO FACILITATE PRECISION DUST REMOVAL.
- ✓ ENABLES LOW NOISE USE WHILST RETAINING AMPLE SUCTION & BLOWPOWER.

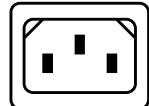
OPTIONAL :

- HANDY STEEL CABLE BRACKETS + 10MM GROUNDING STUD (CB)
- 5m | 10m LONG LOOSE CORDSET
- 100V - 120V - 230V - 245V MOTOR



HEPA
FILTER VERSION

M'MENTS : 31,5 x 12 x 18,5 CM.
WEIGHT : 2,2 KG (APPLIANCE)



IEC 61340-5-1 = EPA = Electrostatic Protected Area, only permitting use totally ESD safe materials and production aids to fully protect ESD sensitive electronics against harmful electrostatic discharges.

MUNTZ TECHNICS BV RESERVES THE RIGHT TO CHANGE, ALTER OR MODIFY IT'S APPLIANCES, REPLACEMENT PARTS, ACCESSORIES, OR THEIR PACKAGING, WITHOUT PRIOR NOTICE, EXCEPTING THOSE WITHIN SPECIFIC SUPPLY CONTRACT ARRANGEMENTS.

Manufactured In The Netherlands to European Community Standards No. 73/23/IEEC & 93/336/IEEC.

Fabrique en Pays-Bas conformement aux normes de la communite Europeenne 73/23/CEE & 93/336/CEE.

Hergestellt in Holland nach normen der EG 73/23/EWG & 93/336/EWG.

Fabricado en Holanda de conformidad con las normas comunitarias Europeas 73/23/CEE y 93/336/CEE.